

Auto  **nterprise**

CHARGING STATION

«WALL COMPLEX»



User manual

© Copyright

This documentation with all illustrations is the intellectual property of PC "AE FACTORY". All documentation is provided to the user for personal use only. This documentation may not be reproduced or provided to others without our written permission. Any violation of the law will be prosecuted.



Read the user manual (Manual) carefully before using the product. All information, illustrations, tables, specifications and diagrams contained in these Manual were carefully compiled at the time of publication. Under no circumstances will compliance with the information in this Manual relieve the user of his responsibility to comply with all applicable codes, safety standards or wiring regulation. The developer cannot be held liable for any direct or indirect damages resulting from the use or operation of the electrical circuits of the equipment or software described herein.

The software is developed and installed exclusively for the operation of the station. The user is strictly prohibited from making any changes, transformations or copying the software.

The developer reserves the right to make any changes in the Manual at any time without prior notice.

CONTENTS

IMPORTANT SAFETY INSTRUCTIONS	4
1. GENERAL INFORMATION	6
1.1 INTRODUCTION	6
1.2 FUNCTIONAL POSSIBILITIES	6
1.3 TECHNICAL CHARACTERISTICS	7
1.4 CONNECTORS CHARACTERISTICS	8
1.5 CHARGING COMPLEX MODIFICATIONS	10
2 PACKAGE	11
3 MARKING	12
4 INSTALLATION	12
4.1 OPERATING LIMITATIONS	12
4.2 COMPLEX INSTALLATION	13
4.3 STATION CONNECTING	16
5 OPERATION	18
5.1 OPERATING MODES AND ELECTRIC VEHICLE CHARGING PROCESS	18
5.2 CONNECTING THE VEHICLE	19
5.3 SAFETY MEASURE	20
6 MAINTENANCE	20
7 TROUBLESHOOTING	22
8 STORAGE	22
9 TRANSPORTATION	23
10 DISPOSAL	23
11 FAT CERTIFICATE	23
11.1 ADDRESS OF MANUFACTURER:	24
12 LIMITED PRODUCT WARRANTY	24

IMPORTANT SAFETY INSTRUCTIONS

This operating manual includes the necessary sections of technical characteristics, maintenance rules, as well as safety instructions and recommendations for the operation of the station.

Before starting work, it is necessary to carefully study all the rules and recommendations given in the instructions, and observe them during operation. This will ensure reliable operation of the product and its safety in use.

Work with the charging complex, observe the safety recommendations in this manual, as well as the applicable local safety regulations and general safety regulations.

Before starting any work with the charging complex, make sure that the instructions, in particular the Safety section and the corresponding safety instructions, have been fully read by the personnel and fully understood.

Important safety instructions in this manual are indicated by symbols. These safety instructions must be strictly followed. You should always pay attention to them and follow the safety requirements to avoid accidents, personal injury or property damage.



WARNING!

Risk of injury or death.

This symbol indicates instructions that must be followed to avoid injury, trauma or death.



ATTENTION!

Risk of material damage.

This symbol indicates instructions which, if not followed, may result in material damage, functional faults and/or breakdown of the complex or the vehicle connected to it.



WARNING!

Danger - electrical current.

This symbol alerts you to potentially dangerous situations involving electric current. Failure to follow the safety instructions increases the risk of serious injury or death. Caution should be exercised, especially during maintenance and repairs.



ATTENTION!

This symbol indicates tips and information that should be adhered to in order to ensure efficient and reliable operation of the product.

Strict adherence to the safety procedures described in these operating instructions and special care when using the equipment are essential to prevent and reduce the likelihood of injury or damage to the equipment.

The manufacturer is not responsible for any direct or indirect damages resulting from the use or work with the electrical circuits of the equipment or software described in this manual.

The manufacturer is not responsible for damage and/or malfunctions caused by non-compliance with the instructions in this manual.

The manufacturer will not be liable for any personal injury or material damage, whether indirect or special, consequential, loss of business profits, business interruption or loss of business information resulting from the use of the equipment described in this manual.

In connection with non-stop improvements, the Developer reserves the right to make changes to the construction of the equipment described in this manual without prior notice.

1. GENERAL INFORMATION

1.1 INTRODUCTION

WALL COMPLEX – is a charging station (charging complex) designed for safe and efficient charging of electric vehicles in the specially equipped places (car parks, offices, shopping malls, etc.). It can be installed indoors or outdoors. The charging complex (depending on the configuration) can simultaneously AC charging up from one to three electric vehicles and DC charging up from one to three electric vehicle (total amount of EV is four).

The charging station is equipped with an intellectual control system that handles communication between the station and the electric vehicle. The control and protection functions operate continuously in the system.

The station is available in several modifications. All modifications are equipped with from one to five fixed cables with Type 1 / Type 2 / CHAdeMO / CCS Type 1 / CCS Type 2 / GB/T AC / GB/T DC connectors in various combinations.

1.2 FUNCTIONAL POSSIBILITIES





Mount	Wall / Pedestal
Online monitoring of device operation	+
Possibility to adjust the charge current	+
Possibility to set the tariff	+
Single body execution	+
Electricity consumption indication	+
User interface management	Menu functions are controlled via the app
Emergency stop button	+
Power cable entry	Bottom
Enclosure material	Steel with anticorrosive coating

1.3 TECHNICAL CHARACTERISTICS

Charging mode according to IEC 61851-1	Mode 3, Mode 4
Nominal input voltage	400 V \pm 10%, 3 ph (TN-S)
Nominal frequency	50 / 60 \pm 0,2 Hz
Maximum station power	30 kW – 225 kW
Display	<ul style="list-style-type: none"> • LED- display (20×2 symbols) • LED- display 7" (optional)
Charging station options	RFID- card (IEC 14443-1); Smartphone app; Chip-tag (extra option)
Mechanical protection	IK10
Case protection class	IP54
Operating temperature	от - 35 °C до + 50 °C
Relative humidity	no more than 95% without moisture condensation
Mass, kg	240
Charging station dimensions (H×W×D), mm	1065×1063×311
Dimensions with pedestal (H×W×D), mm	2126×1063×630
Communication and protocols	
2G	GSM GPRS Class 12, Quad-band: 850 / 900 / 1800 / 1900MHz
3G/4G (LTE)	LTE Cat 1, LTE-FDD: B1/B3/B7/B8/B20/B28A; GSM: B3/B8
RFID	ISO 14443 (A) (Mifare)
Ethernet	IEEE 802.3
Wi-Fi	802.11 a/b/g/n
OCPP	OCPP 1.6

1.4 CONNECTORS CHARACTERISTICS

Charging connector	Type 1 (SAE-J1772)		
			
	Maximum power per socket	9,2 kW	18,4 kW
	Maximum current per socket	40 A	80 A
	Maximum socket voltage	230 V	
Cable length	6,5 m		
Charging connector	Type 2 (Mennekes)		
			
	Maximum power per socket	22 kW	43 kW
	Maximum current per socket	3×32 A	3×63 A
	Maximum socket voltage	400 V	
Cable length	6,5 m		
Charging connector	CHAdeMO		
			
	Maximum power per socket	100 kW	
	Maximum current per socket	200 A	
	Maximum socket voltage	500 V	
Cable length	5,5 m		

Charging connector	<p>CCS (Type 1)</p> 	
Maximum power per socket	100 kW	300 kW
Maximum current per socket	200 A	300 A
Maximum socket voltage	500 V	1000 V
Cable length	5,5 m	
Charging connector	<p>CCS (Type 2)</p> 	
Maximum power per socket	100 kW	300 kW
Maximum current per socket	200 A	300 A
Maximum socket voltage	500 V	1000 V
Cable length	5,5 m	
Charging connector	<p>GB/T AC</p> 	
Maximum power per socket	22 kW	43 kW
Maximum current per socket	3×32 A	3×63 A
Maximum socket voltage	400 V	
Cable length	6,5 m	
Charging connector	<p>GB/T DC</p> 	
Maximum power per socket	100 kW	187,5 kW
Maximum current per socket	200 A	250 A
Maximum socket voltage	500 V	750 V
Cable length	5,5 m	

1.5 CHARGING COMPLEX MODIFICATIONS

The charging complex is available in various configurations, which are formed depending on the availability of connectors and the power of the DC-part of the station (30-60-90-120 kW).

The power value of the charging station, depending on the configuration, is determined according to table 1.

Table 1. Charging station power

P _{DC}		P _{DC} = 30 kW					P _{DC} = 60 kW				
P _{Type1}											
No Type1		30	52	74	73	116	60	82	104	103	146
1xType1 (9,2 kW)		39,2	61,2	83,2	82,2	125,2	69,2	91,2	113	112	155
2xType1 (18,4 kW)		48,4	70,4	—	91,4	—	78,4	100,4	—	121	—
1xType1 (18,4 kW)		48,4	70,4	92,4	91,4	134,4	78,4	100,4	123	122	165
2xType1 (36,8 kW)		66,8	88,8	—	109,8	—	96,8	118,8	—	139,8	—
P _{Type1} P _{Type2}	No Type2	1xType2 (22 kW)	2xType2 (44 kW)	1xType2 (43 kW)	2xType2 (86 kW)	Type2 отсутствует	1xType2 (22 kW)	2xType2 (44 kW)	1xType2 (43 kW)	2xType2 (86 kW)	

P _{DC}		P _{DC} = 90 kW					P _{DC} = 120 kW				
P _{Type1}											
No Type1		90	112	134	133	176	120	142	164	163	206
1xType1 (9,2 kW)		99,2	121,2	143,2	142,2	185,2	129,2	151,2	173,2	172,2	215,2
2xType1 (18,4 kW)		108,4	130,4	—	151,4	—	138,4	160,4	—	181,4	—
1xType1 (18,4 kW)		108,4	130,4	152,4	151,4	194,4	138,4	160,4	182,4	181,4	224,4
2xType1 (36,8 kW)		126,8	148,8	—	169,8	—	156,8	178,8	—	199,8	—
P _{Type1} P _{Type2}	No Type2	1xType2 (22 kW)	2xType2 (44 kW)	1xType2 (43 kW)	2xType2 (86 kW)	Type2 отсутствует	1xType2 (22 kW)	2xType2 (44 kW)	1xType2 (43 kW)	2xType2 (86 kW)	

2 PACKAGE

EV charging station Wall Complex can be supplied in various package, depending on the installation method.

Wall mounting	
EV charging station Wall Complex	1
User manual	1
Mounting bracket	1
Anchor screw M8	4
Pedestal mounting	
EV charging station Wall Complex with pedestal	1
User manual	1
Inserts	1
Nut M16	4
Washer 16	4
Additional accessories	
Cable pull-up unit (tensioner)	2

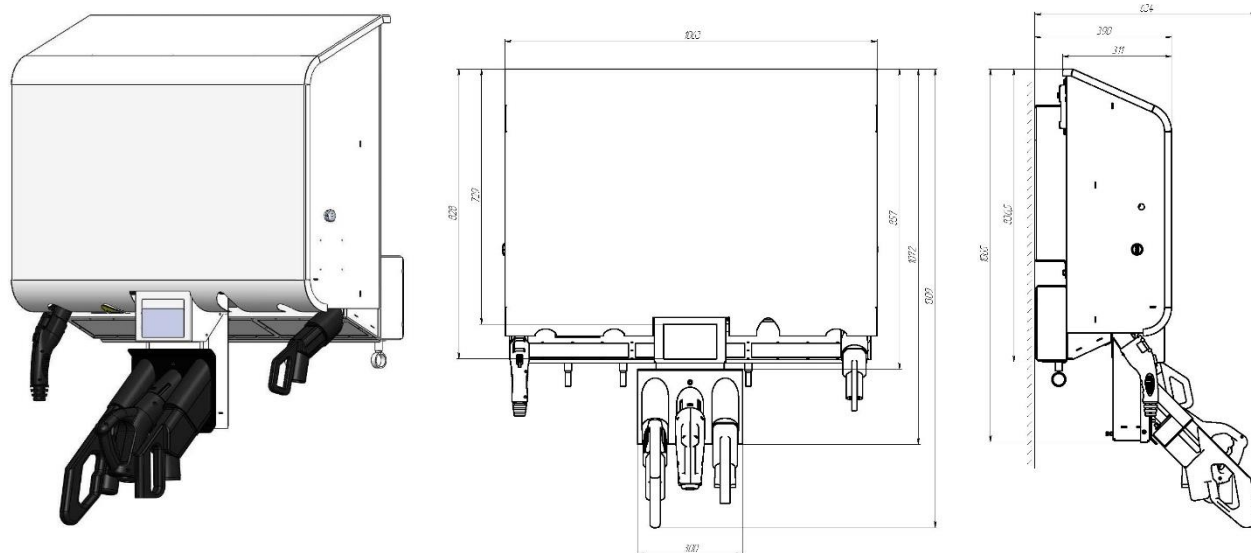


Figure 1a. Station external view and station dimensions for wall mounting

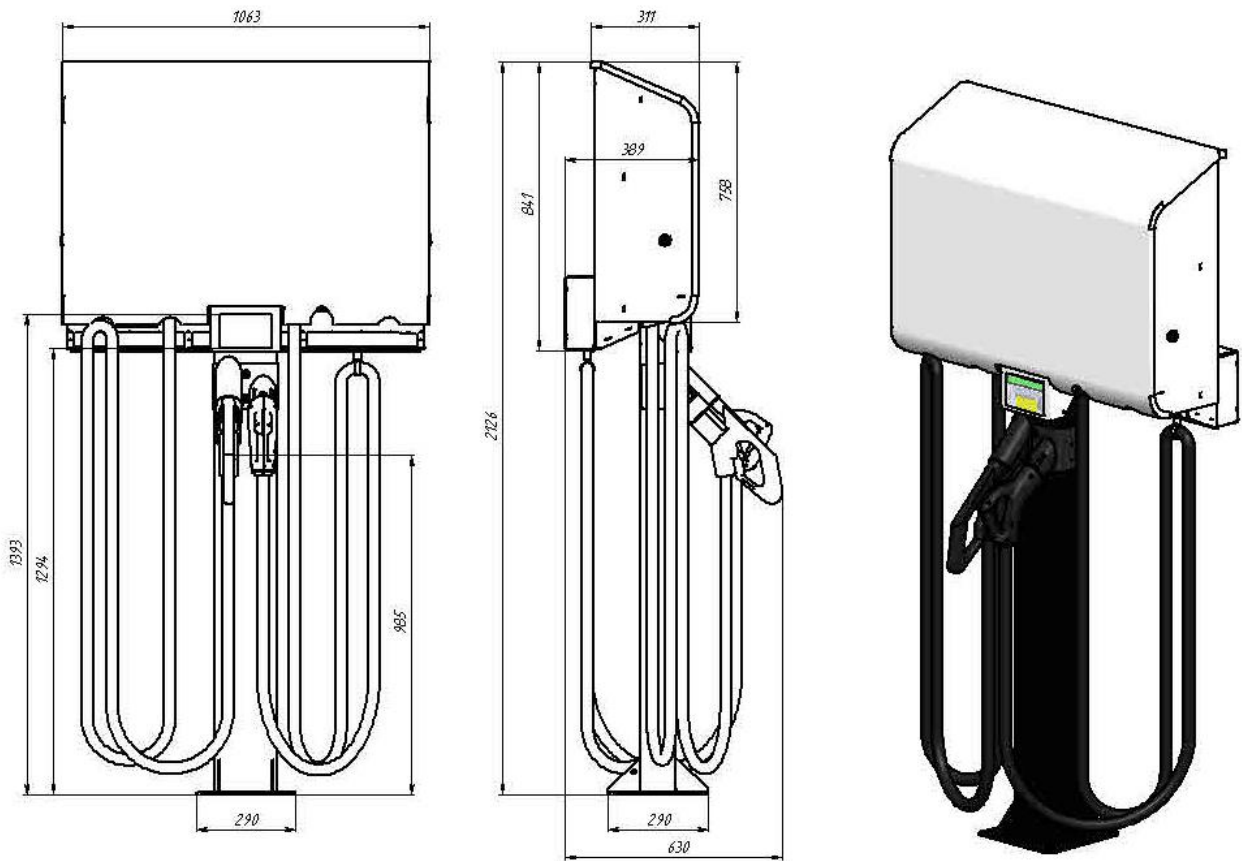


Figure 1b. Station external view and station dimensions for pedestal mounting

The station can be branded if it is specified in the contract with the customer.

3 MARKING

The nameplate is located on the left side of the charging station enclosure. The nameplate specifies information such as the model, serial number and basic technical specifications.

4 INSTALLATION

4.1 OPERATING LIMITATIONS



The charging station is designed exclusively for charging electric vehicles.

Charging only compatible electric vehicles.

Failure to comply with the requirements for operation, maintenance and repair, described in this manual, excludes any liability of the manufacturer in the event of malfunctions in the operation of the complex.

The installation altitude of the charging complex above sea level should not exceed 2000 m.

Follow the safety regulations to avoid injury and material damage when working with the complex.

Before the station installation, you should review this manual carefully and consult with a licensed electrician, contractor, and trained installation expert to insure compliance with local building codes, safety standards and wiring regulations.

4.2 COMPLEX INSTALLATION

Make sure the installation site has adequate GSM or 4G (LTE) cellular coverage. Cellular repeaters may be required to ensure good signal strength in underground garages or other enclosed parking lots.

It is recommended to place the complex under a canopy to protect it from direct exposure to atmospheric precipitation and sunlight.

For wall-mounted charging stations, a place must be prepared for attaching the bracket. When choosing the location of the station, keep in mind that there must be a distance of at least 1 meter to the left and right of the station body to any obstacle. The holes for the anchor screws should be positioned as shown in Figure 2.

For pedestal-mounted charging stations, prepare the installation site in advance by following the instructions below.

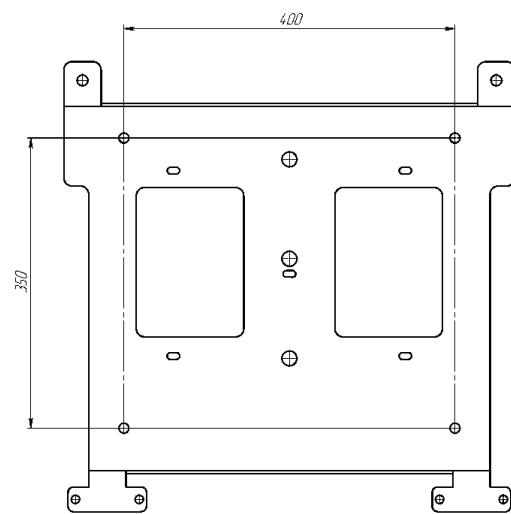


Figure 2. Mounting bracket

When choosing a location for the charging complex, the following conditions must be met: there must be a distance of at least 1 meter between the charging complex body and a wall or any obstacle. There should be enough free space for maintenance in front and behind the enclosure.

Complex is installed on a foundation (prepared concrete base) measuring 1300x1300x500 mm. There should be no underground cables or pipes in the area around the foundation..

The foundation is poured into a well-rammed base with a pre-laid cable duct and a placed metal insert. For the base, it is necessary to use a mixture of crushed stone with cement at least M400. The surface of the foundation must be carefully leveled to avoid distortion of the station during installation.

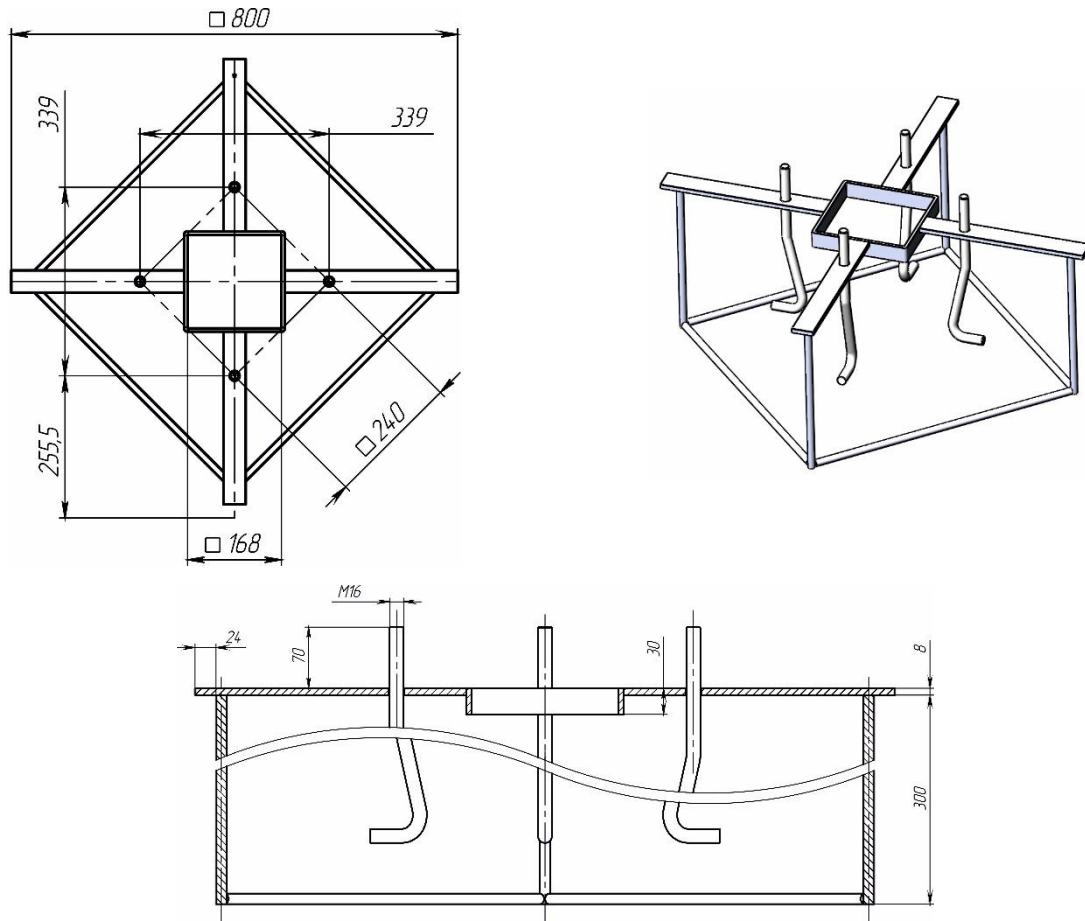


Figure 3. Inserts external view and inserts dimensions

The dimensions of the pedestal base are shown in Figure 4, the plate thickness is 8 mm.

Along with the preparation of the foundation, it is necessary to ensure the laying of an electric power cable (not included in the delivery set). The required cable length above the foundation is at least 2.5 meters.

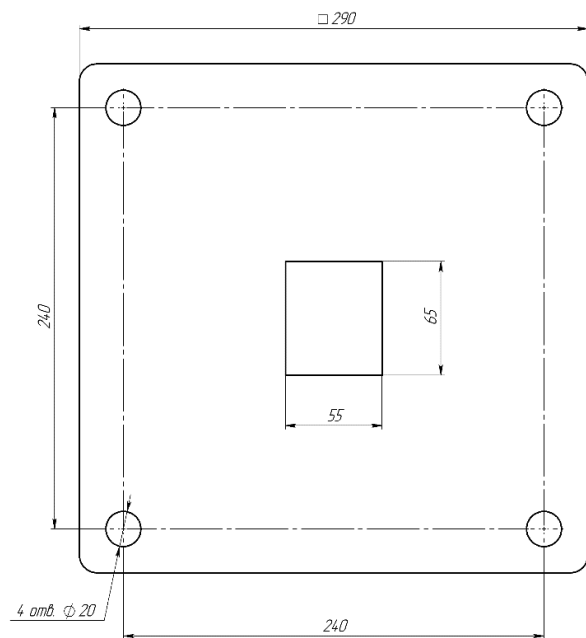


Figure 4. Pedestal base (bottom view)

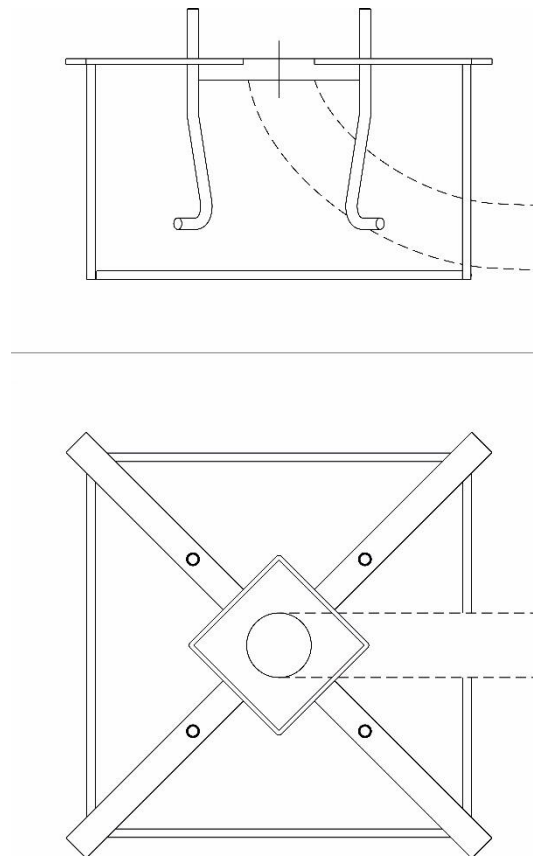


Figure 5. Station foundation

**WARNING!**

Only qualified personnel should connect the power cable to the AC mains.

It is recommended to select the cross-section of the power cable based on the power of the station (copper stranded conductor with a cross-section of $5 \times 50 \text{ mm}^2$ to $5 \times 95 \text{ mm}^2$).

Table 2. Recommended cross-section of power cable

Charging station power, kW	Cross-section of power cable, mm^2
<75	5×16
75-98	5×25
98-118	5×35
118-148	5×50
148-181	5×70
181-225	5×95

It is necessary to install an AC circuit breaker between the station and the power supply network when the power cable laying. It is recommended to use a 3-pole circuit breaker in the range from 120 A to 350 A (depending on the station power).

4.3 STATION CONNECTING

After transporting the charging complex, before installation, make sure that all internal elements are properly fixed and there are no mechanical damages.

Check the quality of wire, loop, and connector connections. Check the tightening torque of terminals, bolts, screws, and switchgear.

The charger does not require any special adjustment or tuning before it is put into operation.

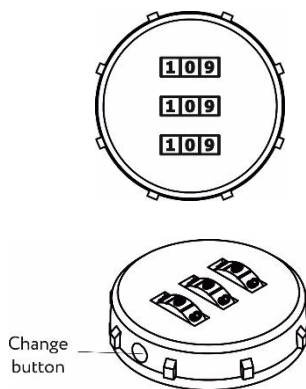
Before you connect the charger, make sure that:

- The power supply cable on the mains side is de-energized by means of external disconnecting devices.
- The mains supply is connected as shown in the wiring diagram: 3 phases with separate Neutral (N) and grounding (PE) conductors
- When connecting with a 4-wire cable, carry out the protective grounding with a separate wire.

To connect the complex to the electric circuit, it is necessary to open the cover of the charging station and lead the power cable through the cable entry channel to the internal part of the station.



ATTENTION!



A combination lock is used. The default lock code is "000".

On the underside outer edge of the lock there is hole for the code reset button. Rotate the face of cam until the code reset button comes into view.

Push this pin in with a paper clip and keep it pushed in.

Set your personal combination turning the dials to the desired combination.

Release the reset button and your combination is set.

Next, you need to connect the power supply cable to the appropriate input busbars (as shown in pic. 6). When connecting with a 4-wire cable, the external grounding should be done with a wire of a cross section of at least 25 mm² by means of a bolted connection M10 with the inscription «PE», located in the terminal compartment.

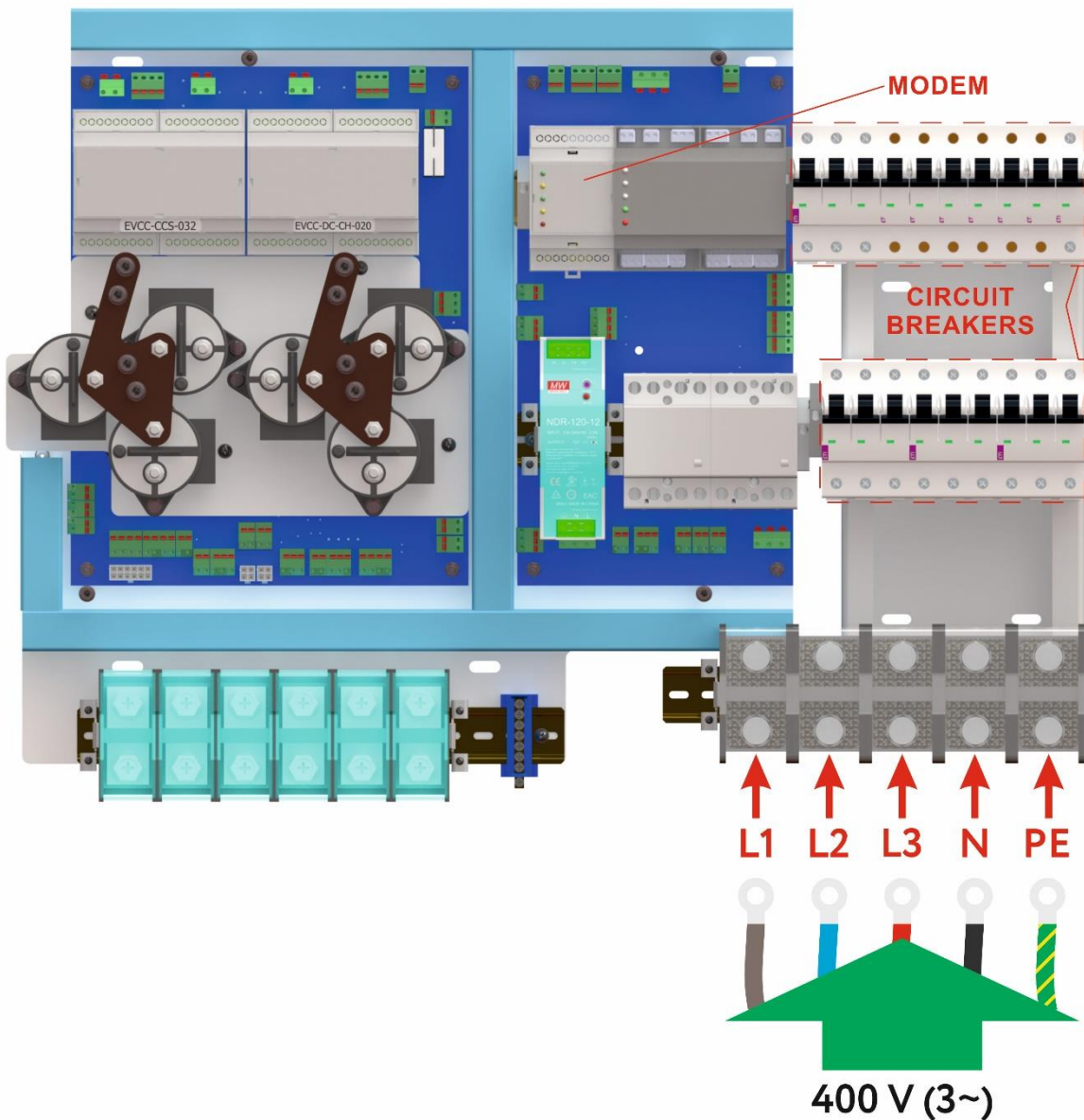


Figure 6.

ATTENTION!

THE FIRST CONNECTION THAT MUST BE MADE IS THE GROUND WIRE TO THE GROUND BUSBAR MARKED «PE».

DO NOT SWITCH ON THE CHARGER WITHOUT A CONNECTED GROUNDING!

Non-compliance with this requirement may result in energizing the charger body, electric shock damage to the service personnel and consumers, as well as in a failure of the charger.

Then, with the help of external switching devices, it is necessary to connect the power cable to the AC mains and then move the three-pole circuit breakers to the working position.

To switch the charging complex on it is necessary to:

- Install mobile operator's SIM-card (if an external SIM-card is used):

- remove the modem cover;
- install SIM-card;
- close the modem cover.
- Move the circuit breakers to the operating position (up).
- Move the circuit breaker on the switch board to the operating position (up).

5 OPERATION

5.1 OPERATING MODES AND ELECTRIC VEHICLE CHARGING PROCESS

Information about the operating modes of the charging complex (the state of the connectors and the charging parameters) are displayed on the display. Also, the display shows data about software versions, modem number, station number in Autoenterprise billing, mobile network status, etc.

The information shown on the display depends on the software version and may differ from version to version.



After the supply voltage is applied, the station display shows information about the software version and the serial number of the modem.

In case of malfunctions in the operation of the charging complex, you must inform the serial number of the modem to the service center for diagnostics and restoration of work.



In standby mode, the display shows information about the status of the connectors.



In car charging mode, the LCD display shows information about charging time, voltage level and current amperage.

Chademo: Charging
032:07 3.2kWh 33%

① Plug in

② Contactless payment

Authorize

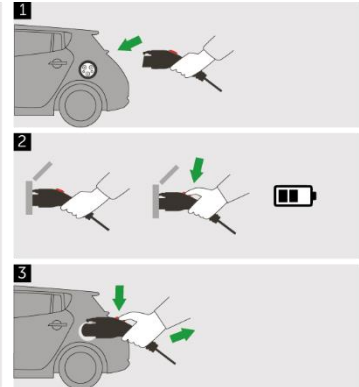
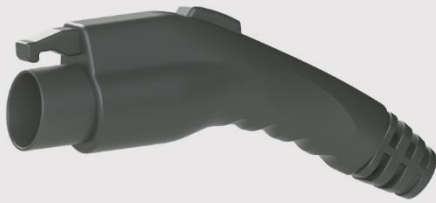
charge.autoenterprise.ua
+38 (097) 535 77 77

VISA G Pay Apple Pay

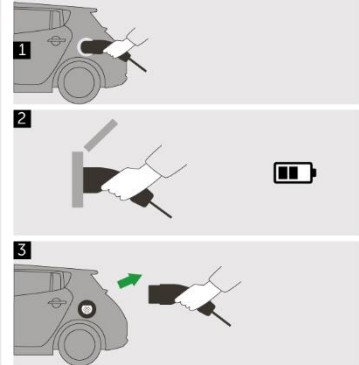
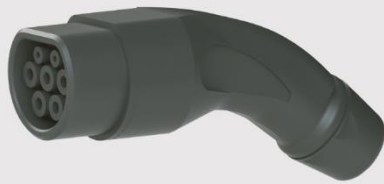
The "DC Output" indicator flashes green quickly when the car is charging in DC Mode "CHAdEMO" / "CCS" / "GB/T DC". In this case the LCD display shows information about charging parameters.

5.2 CONNECTING THE VEHICLE

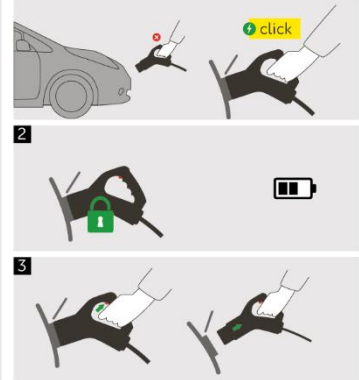
AC connector.
Type1.



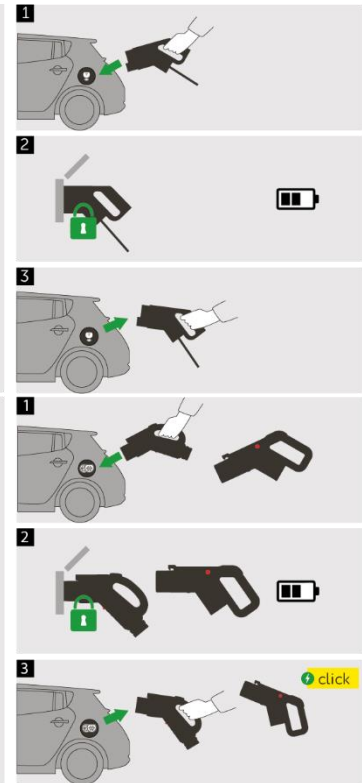
AC connector.
Type2.



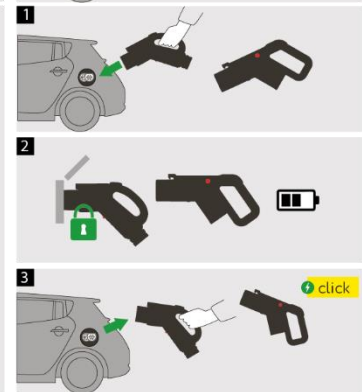
CHAdEMO connector.
CHAdEMO connectors have a lock button.



CCS Combo (Type 1 and Type 2).



GB/T (AC and DC)



5.3 SAFETY MEASURE

In emergency situations, the charging complex disconnects the input power circuits using differential relays.

The control system of the charging complex is powered from the mains through an additional circuit breaker.

The output cable is connected via cable sleeve / cable glands.

On the bottom panel of the complex there is an emergency shutdown button in the DC charging mode.

When the emergency stop button is pressed in DC charging mode, the electrical circuit that powers the vehicle's battery is automatically disconnected. The message “EMO PRESSED” appears on the display.

To continue the operation of the complex, the emergency stop button must be manually returned to its original state (turn the button counterclockwise).

6 MAINTENANCE



WARNING!

Improper maintenance can result in serious injury or equipment damage. Charging station can be maintained and repaired by qualified personnel only.

CAUTION!

The use of explosive or flammable cleaning agents presents a fire or explosion hazard.

Do not store flammable or explosive liquids near the charging station!

WARNING!

Charging station should always be powered off and disconnected from the power grid during the maintenance and repair.

INFORMATION

It is recommended to carry out regular maintenance of the charging complex.

Only the manufacturer, an authorized service technician, or technically qualified personnel may replace damaged charging station or its components.

In the course of operation the following maintenance are carried out:

- Visual inspection for overheating of equipment; check, pulling connections;
- Filter replacement;
- Checking the efficiency of the inverter fans and the case fan;
- Identification of defective parts, assemblies, their repair and replacement.

The filters of the complex must be replaced at least once a year. When the charging complex is operating in conditions of increased dustiness, it is recommended to carry out extraordinary routine maintenance for preventive cleaning of the internal elements of the complex from dust at least once every 3 months.

Preventive inspection of the charger should be carried out at least once every 3 months. To do this, the charger must be disconnected from live circuits and its housing, contacts and vents must be thoroughly cleaned of dust and dirt, and the quality of wire fastening must be checked. Screws of terminal blocks and wire ends must be clamped, the wires must not have damaged insulation.

The case fan must be cleaned of dust, visually inspected for damaged blades and check for ease of movement. If necessary, replace the fan.

It is strictly forbidden to change or make changes to the structure of the complex in any way without the written consent of the manufacturer!

All signs, stickers and pictograms placed on the complex must be visible and readable. Marks, labels or pictograms that have been damaged or illegible must be replaced immediately. Please contact the manufacturer to agree on such issues.

7 TROUBLESHOOTING

Failure mode	Potential cause	Remedy
Lost connection with server	Modem failure / SIM card inoperative	Replace the modem / check the status of the SIM-card
	Poor mobile signal strength / Modem antenna is out of order / Station is out of range of the mobile network	Replace antenna with a more powerful
Charging cable or connector fault	Depreciation, careless handling of equipment	De-energize the device. Contact to Customer Service to replace charging cable or connector.
The charging complex display does not work (there is no information on the station display)	No input voltage	Find out the reason for the lack of voltage. Restore power supply.
	Circuit breaker(s) tripped off	Bring circuit breaker(s) to operating position
	Display is out of order	Contact to Customer Service
Other malfunction	Malfunctions caused by external and internal factors	Contact to Customer Service

CUSTOMER SERVICE

You can write an email or call to the tech support using the contact page on our web-site autoenterprise.ua.

8 STORAGE

The charging station is supplied in individual factory packaging. Remove all packaging before installing the station.

STORAGE CONDITIONS:

- Charging station must be stored in its original packaging.
- Charging station should be stored in dry heated rooms, free of dust, corrosive and oily materials.
- Keep the charging station in the warehouse with the appropriate weather protection.
- Keep away any sharp object from the charging station, cords or plugs/connectors.

- During storage, the charging station must be protected from shocks.
- Avoid extreme temperature fluctuations.
- Storage temperature range: 0 °C to +40 °C (32 °F to 104 °F).
- Humidity: < 85%.

9 TRANSPORTATION

Charging station can be transported by all means of transport. During transportation, take all necessary measures to ensure protection from atmospheric precipitation, mechanical damages and movements. Protect the charger from damage during transportation with straps and inserts and leave sufficient clearance between the station and other transported items.

Shipping temperature range: 0 °C to +40 °C (32 °F to 104 °F).

10 DISPOSAL

ATTENTION!



The symbol with the crossed-out waste container means that electrical and electronic devices including their accessories must not be disposed in the household garbage!

Please observe the regulations regarding disposal of electric appliances and electronic devices!

Electronic components of the charging station must be disposed in accordance with the current legislation regarding the disposal of electronic and electrical waste.

11 FAT CERTIFICATE

THE CHARGING STATION

WALL COMPLEX <small>MODEL/MODIFICATION</small>	<small>PRODUCT NAME</small> XXXXXXXXXX <small>SERIAL</small>
manufactured and accepted in accordance with the requirements of EN 61851-1, EN 61851-23 <small>STANDARD</small>	
and recognized as fit for use.	

Head of Quality Control Department

LS

SIGNATURE

FULL NAME

DATE

11.1 ADDRESS OF MANUFACTURER:

PC "AE FACTORY"

6, Hryhoriia Rudyka Str., Kharkiv, Ukraine, 61070

Phone: +38 097 535 7777

12 LIMITED PRODUCT WARRANTY

This Limited Product Warranty ("Warranty") applies to the charging station Wall Complex ("Station") purchased from manufacturer or one of its authorized distributors.

Subject to the exclusions set forth below, manufacturer warrants that the Station will be free from defects for a period of one (1) year after the date of delivery manufacturer's warehouse ("Warranty Period"), unless manufacturer and its direct customer ("Customer") explicitly agree otherwise in writing.

Customer may transfer the Warranty to its customers ("Station's Owner" or "Owner").

WARRANTY SERVICE

Within the Warranty Period, upon verification of a warranty claim, manufacturer will, at its sole discretion, repair or replace broken component (that was damaged in normal use) at no charge to Owner for material and/or labour. Owner pays any transportation costs associated with the replacement / repair of components (to the manufacturer factory or any other repair location indicated by manufacturer).

If the repair issue cannot be resolved remotely, Owner shall, at its own expense, ship the Product(s) to a Repair Centre, after receipt of respective instructions.

To obtain the necessary instructions you must contact to Customer Service at autoenterprise.ua.

Owner assumes risk of any shipping related loss or damage.

If the fault is covered by this Warranty, manufacturer will repair or replace the Product(s) and ship it back to the Owner via ground transportation at manufacturer's cost.

The out-of-warranty Station or station ineligible for warranty service will be repaired or replaced at Owner's request according to the preliminary agreement on payment and shipped back at Owners expense.

All replaced parts are the property of manufacturer.

The warranty does not apply to equipment damaged as a result of:

- incorrect electrical, mechanical connection;
- misuse or Station usage beyond its intended purpose;
- modification or changes in the design of the product without written manufacturer approval;
- incorrect installation, assembly/disassembly or relocation of the Station unless performed by manufacturer or authorized service personnel;
- maintenance and repair of product performed by an unauthorized or unqualified personnel;
- failures from the grid;
- external damages (including physical damage from being struck by a vehicle) or violation of the rules of transportation and storage;
- use of interfaces or parts not provided by manufacturer;
- accidents, acts of nature or other causes beyond manufacturer's control;
- vandalism.

The manufacturer is not responsible for the possible costs associated with the installation and removal (dismantling) of the warranty equipment, as well as for damage caused to other equipment in the possession of the consumer, as a result of malfunctions (or defects) arising during the Warranty period. Furthermore, damage to the electrical vehicle itself is never covered by this Warranty.

Manufacturer or its authorized distributors will not be liable for any indirect, incidental, special, punitive or consequential damages, even if manufacturer knew or should have known of the possibility of such damages.

The cumulative liability of manufacturer or its authorized distributors for all claims whatsoever related to this station or the service will not exceed the price of this station.

ADDITIONAL INFORMATION

Owner is responsible for the proper installation and maintenance of the Station.

This Limited Product Warranty is not transferable by the Station's Owner to anyone else.

PC "AE FACTORY" reserves the right to update any information, illustrations, sheets, specifications and diagrams contained in these Manual at any time without prior notice in respect of technical developments.

All inquiries or claims made under this Limited Product Warranty must be address as follows: autoenterprise.ua.